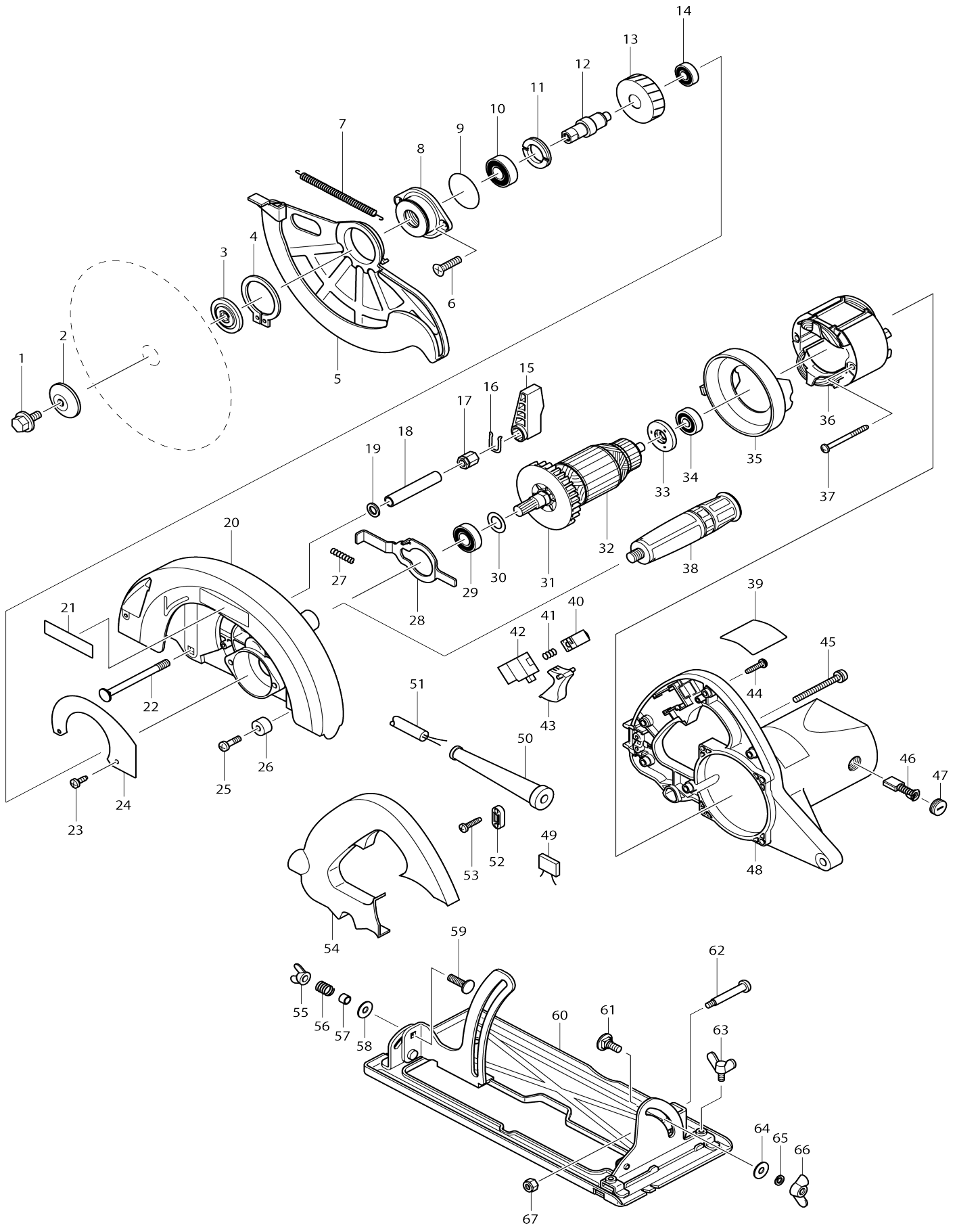


Model No.N5900B CIRCULAR SAW 235MM



Model No.N5900B CIRCULAR SAW 235MM

Item No.	Parts No.	Description
001	251644-1	HEX. FLANGE HEAD BOLT M8X20
002	224301-4	OUTER FLANGE 42
003-1	224302-2	INNER FLANGE 42
004	961202-2	RETAINING RING S-45
005-1	318091-0	SAFETY COVER
006	265031-8	+ COUNTERSUNK HEAD SCREW M6X20
007-1	231846-5	TENSION SPRING 5
007-2	232487-0	TENSION SPRING 5
008-1	318089-7	BEARING BOX
009	213560-5	O RING 44
010	211228-7	BALL BEARING 6202DDW
010-1	210296-7	BALL BEARING 6202DDW
011	285809-3	BEARING RETAINER 23-36
012	323955-5	SPINDLE
013	226523-2	HELICAL GEAR 39
014	211088-7	BALL BEARING 6000DDW
014-1	210199-5	BALL BEARING 6000ZZ
015	272230-5	LEVER 54
016	231955-0	RING SPRING 12
017	252134-7	HEX. NUT M8
018	331568-8	PIPE 9
019	941201-0	FLAT WASHER 8
020-2	158413-0	BLADE CASE COMPLETE
C10	263005-3	RUBBER PIN 6
022	266237-1	CAP SQUARE NECK BOLT M8X90
023	266026-4	TAPPING SCREW BIND CT 4X12
024-1	345760-0	COVER PLATE
025-1	251350-8	+ COUNTERSUNK HEAD SCREW M6X28
026-1	262564-4	RUBBER SLEEVE 6
027	233264-3	COMPRESSION SPRING 5
028	344844-1	SHAFT LOCK
029	211236-8	BALL BEARING 6002DDW
029-1	210298-3	BALL BEARING 6002DDW
030	267164-5	FLAT WASHER 15
031	240003-4	FAN 80
032	516818-4	ARMATURE ASS'Y 220V
032		INC. 29-31,33,34
032-1	510564-1	ARMATURE ASS'Y 220V
032-1		INC. 29-31,33,34
033	681630-2	INSULATION WASHER
034	211066-7	BALL BEARING 6200LLB
034-1	210297-5	BALL BEARING 6200LLB
034-2	211066-7	BALL BEARING 6200LLB
034-3	210297-5	BALL BEARING 6200LLB
035	417114-2	BAFFLE PLATE
036	596208-7	FIELD ASS'Y 220V

C10	654020-2	RING TERMINAL
C20	654502-4	CONNECTOR P-2
037	266044-2	TAPPING SCREW 5X60
037-1	266329-6	TAPPING SCREW 5X60
038	152612-6	GRIP 36 COMPLETE
038-1	152492-0	GRIP 36 COMPLETE
039	850732-7	NAME PLATE N5900B
040	417117-6	LOCK-OFF BUTTON
041	233284-7	COMPRESSION SPRING 5
042	651984-1	SWITCH TG71B-2
043	417115-0	SWITCH LEVER
044	265995-6	TAPPING SCREW 4X18
044-1	266326-2	TAPPING SCREW 4X18
045	911273-9	PAN HEAD SCREW M5X50
046	181044-0	CARBON BRUSH CB-153
046-1	194985-1	CARBON BRUSH SET CB-153
047	643650-4	BRUSH HOLDER CAP 6.5-13.5
047-1	643650-4	BRUSH HOLDER CAP 6.5-13.5
048-1	151848-4	MOTOR HOUSING COMPLETE
C10	643653-8	BRUSH HOLDER 6.5-13.5
049	645200-1	NOISE SUPPRESSOR
050-1	682564-2	CORD GUARD
051-1	665865-3	POWER SUPPLY CORD 1.0-2-2.5
052	687052-4	STRAIN RELIEF
052-1	687124-5	STRAIN RELIEF
053	265995-6	TAPPING SCREW 4X18
053-1	266326-2	TAPPING SCREW 4X18
054	417118-4	HANDLE COVER
055	934301-3	WING NUT M6
056	231139-0	COMPRESSION SPRING 9
057	257669-3	SLEEVE 6
058	253047-5	FLAT WASHER 6
059	251919-8	CAP SQUARE NECK BOLT M6X20
060	168389-3	BASE
061	266330-1	FLAT HEAD SQ. NECK BOLT M6X1 6
062	251221-9	+ PAN HEAD SCREW M6
063	924306-1	WING BOLT M6X10
064	253047-5	FLAT WASHER 6
065	942151-2	SPRING WASHER 6
065-1	253428-3	SPRING WASHER 6
066	934301-3	WING NUT M6
067	252014-7	HEX. LOCK NUT M6-10
A01	164367-1	GUIDE RULE
A02	782016-4	OFFSET WRENCH 13
A03-1	A-89866	TCT SAW BLADE 235X30X20T
A04	193068-4	JOINT SET
E01	417117-6	LOCK-OFF BUTTON
E02	415437-2	ROLLER PIN 6
E03	415438-0	ROLLER 20
E04	345759-5	LEVER 98
E05	231847-3	TENSION SPRING 6

E05-1	232488-8	TENSION SPRING 6
E06	911123-8	PAN HEAD SCREW M4X14
E07	419643-1	SPRING HOLDER
E08	266192-7	TAPPING SCREW 4X14
E08-1	266385-6	TAPPING SCREW 4X14

Г.